



FAGOR INDUSTRIAL

Catalogue
CATERING

Chapter
COOKING

Model
F-G9121 R LPG 230V 1N 50Hz 2C

19047039

DIMENSIONS

	Article		Packed	
Lenght	400	mm	440	mm
Depth	930	mm	1022	mm
Height	850	mm	1115	mm
Weight	75,000	kg	90,000	kg
Volume	0,361	m3	0,501	m3

ELECTRICITY

Electric power	0,10	kw
Voltage	230V -1N	
Frequency	50	hz

GAS

Power	21,00	kw
	18072,86	kcal/h
LPG Consumption	1,61	kg/h
Pressure	LPG G30/G31 28-30/37	mbar

Certification EQNET-CE 1312CS6209



FAGOR INDUSTRIAL

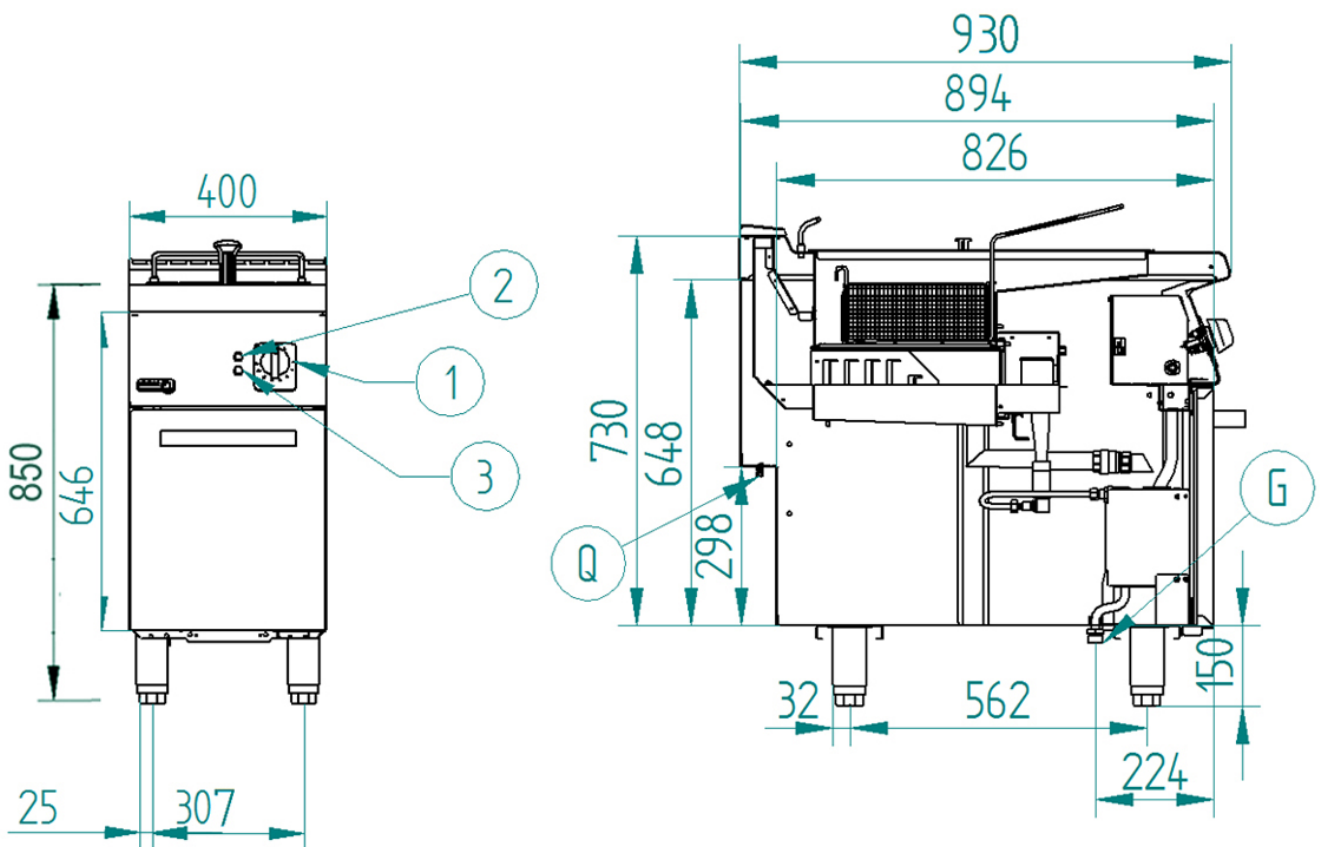
Catalogue
CATERING

Chapter
COOKING

Model
F-G9121 R LPG 230V 1N 50Hz 2C

19047039

F-G9115 & F-G9121



Q – Conexión equipotencial
G – Entrada de Gas
1 – Grifo válvula de gas
2 – Piloto verde
3 – Piloto ambar

Equipotential connection
Gas Inlet
Gas valve tap
Green pilot
Ambar pilot